

Masport®

INBUILT GAS FIRES

SOFIA / MADRID Natural Gas / LPG - EIS

Part Numbers	Sofia	Natural Gas	990933
	Sofia	LPG	990934
	Madrid <i>EIS</i>	Natural Gas	990935
	Madrid	LPG	990936
Fascias	Bevelled	Black	990938
	Zero Clearance	Black	990939
	Bevelled	Black	990942
	Zero Clearance	Black	990943
	Flat	Black	990944
	Deep - Sofia	Black	990954
	Deep - Madrid	Black	990953

Zero Clearance Kit 990940

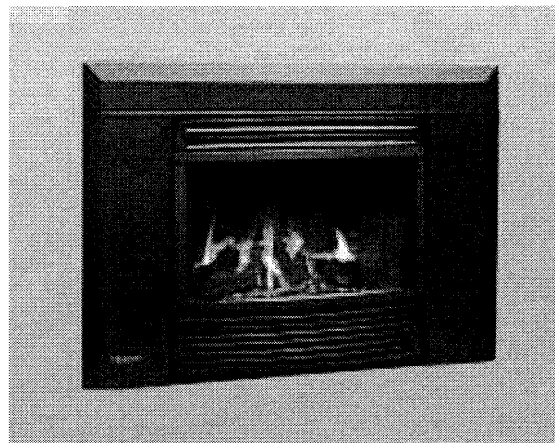
From Serial Number 4010198 *SOFIA NG 03*

*4010241 MADRID 03 02/10/02 990935
EIS*

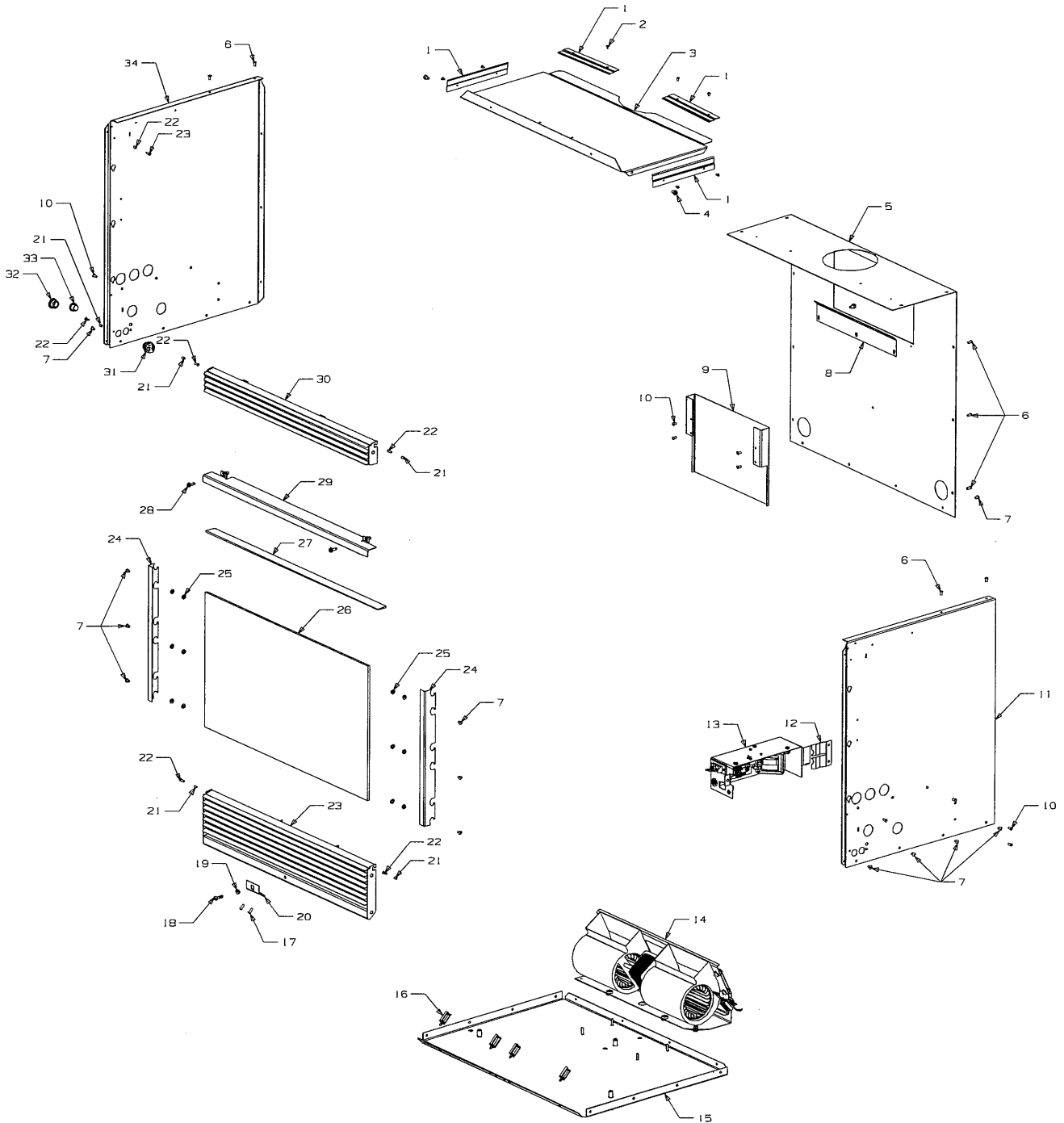
Month and Year of Manufacture: August 2002



SOFIA



MADRID

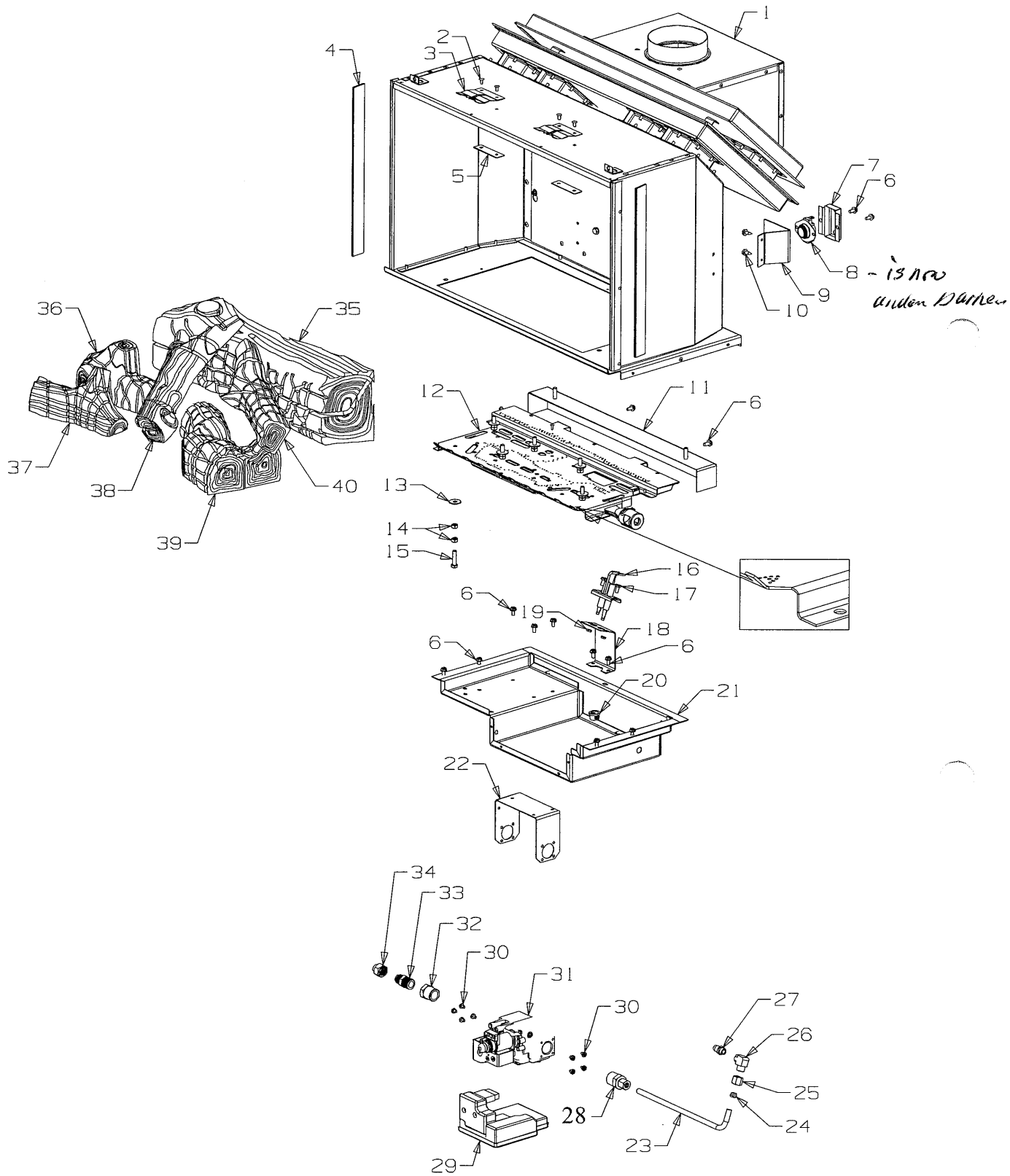


When ordering PLEASE QUOTE PART NUMBER & Description, NOT Illustration No.
Determine right or left hand side from standing in operating position



Item No	Part No	Description	Qty	Item No	Part No	Description	Qty
1	986514	Case-Outer, Guide Rail	4	19	503818	Grommet-Dzus	1
2	501767	Rivet-Pop 3.2 Dia x 3.2	8	20	990281	Plate-Latch	1
3	986513	Case-Outer Top	1	21	985310	Bush	6
4	503630	Screw; S/T 10 x .4	7	22	503165	Rivet-Pop, 3.2 Dia x 6.4	6
5	990331	Case-Outer, Rear	1	23	790259	Grille-7 Louvre - Black	1
6	503586	Rivet 4.0 Dia	14	24	790308	Trim-Glass, Side	2
7	503272	Rivet-Pop 4.8 Dia x 4.8	18	25	501330	Washer, Flat 5 x 10 x 1.0	12
8	990335	Bracket-Support, Diverter	1	26	790300	Glass & Taoe - 5 x 580 x 3321	1
9	980283	Heatshield-Fan	1	27	700714	Tape - 3 x 25 x 610	1
10	586167	Rivet-Pop 4.0 Dia x 4.8	16	28	503489	Screw, Set M5 x 16	2
11	990332	Case-Outer, Side RH	1	29	790236	Trim-Glass, Top - Black (Incl. Tape)	1
12	991236	Retainer-Trim, Top Glass	1	30	790261	Louvre Assy-Top - Black	1
13	790280	Control Box Assy	1	31	502068	Clamp-Cable	1
15	990329	Base Assy	1	32	577089	Nut-Cable Clamp	1
14	790264	Fan Assy	1	33	586734	Bush-Plastic	1
16	590348	Saddle-Wire, Hi-Q	4	34	990333	Case-Outer, Side LH	1
17	503704	Screw, S/T 8 x .5	9				
18	503817	Stud-Dzus	1				

Bold Text = Assemblies
Bulleted Text = Items included in Assemblies

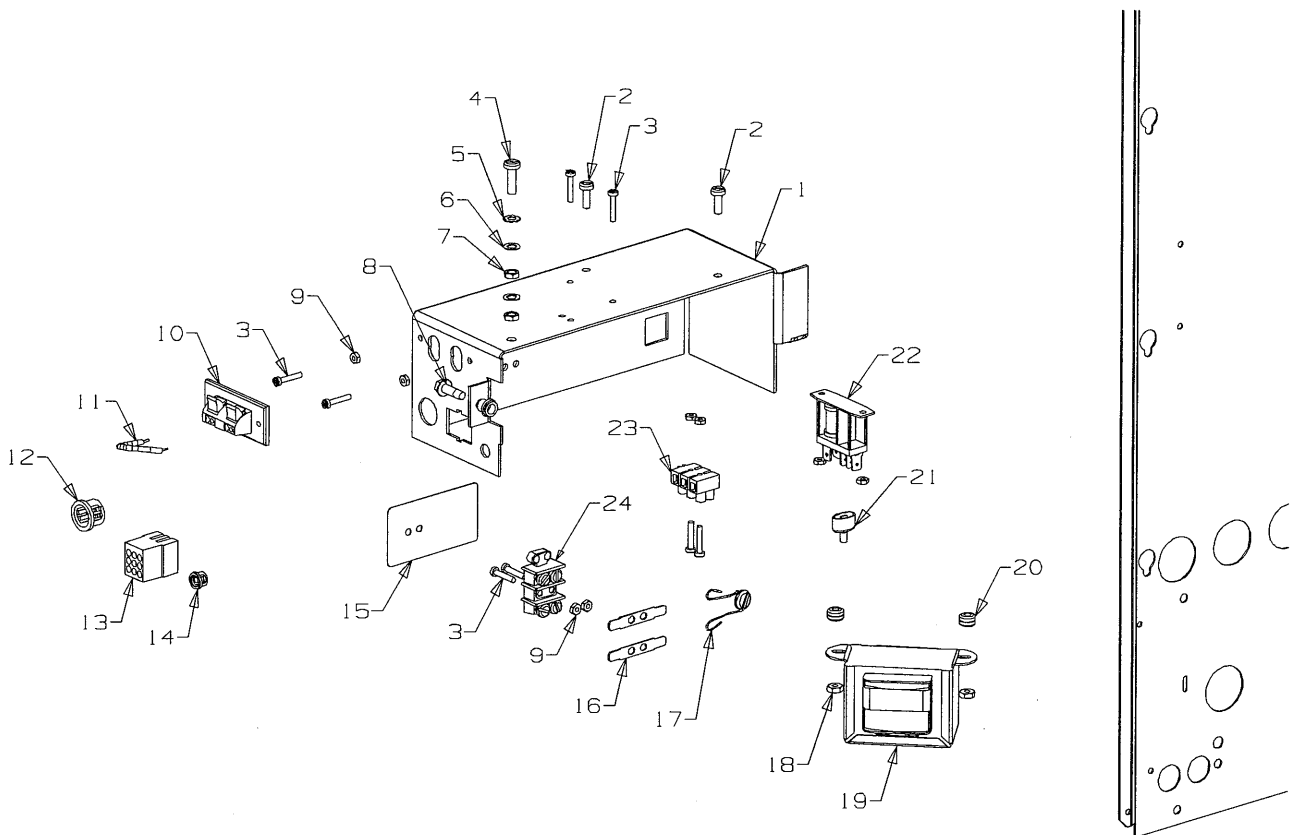
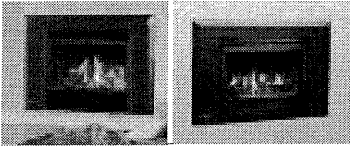


When ordering PLEASE QUOTE PART NUMBER & Description, NOT Illustration No.
Determine right or left hand side from standing in operating position



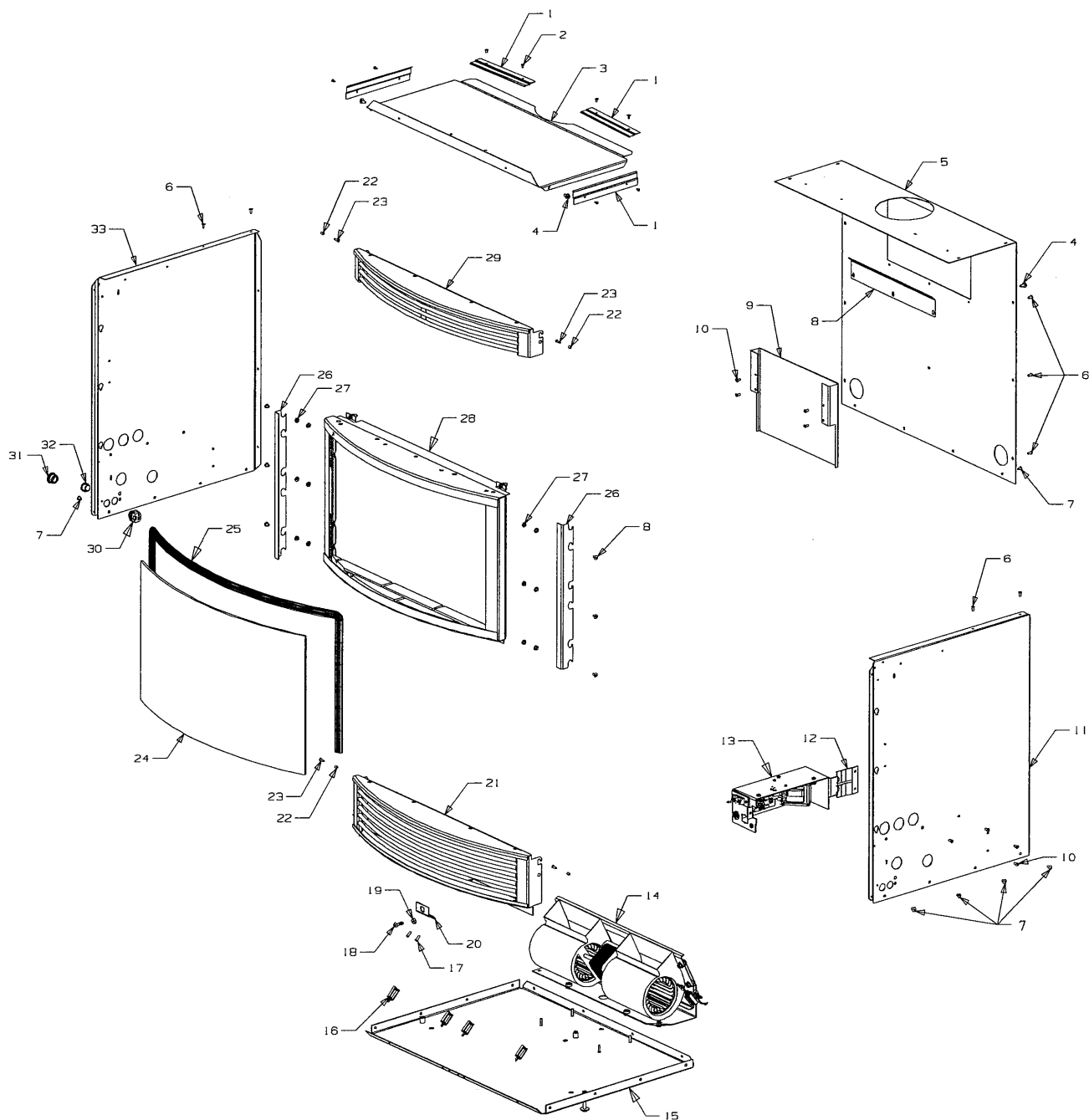
Item No	Part No	Description	Qty	Item No	Part No	Description	Qty
1		Firebox Assy	1	23	590270	Tube-Main Injector	1
2	503627	Rivet, 4 Dia	28	24	588172	• Olive-Brass, M8	1
3	991236	Retainer-Top Glass Trim	2	25	588393	• Nut-Compression, 8mm	1
4	985829	Seal Kit-Glass	1	26	590345	Fitting-Elbow	
5	991163	Plate-Reinforcing	2			5/16" x 18" BSP	1
6	503630	Screw; S/T 10 x .4	34	27	590352	Injector-Main - Natural Gas	1
7	991304	Shield-Thermodisc Terminal	1		590295	Injector-Main, 1.70 - LPG	1
8	591119	Thermodisc-Fan	1	28	588077	Fitting-Complete 8 x 1/2"	1
9	990282	Bracket-Mount, Thermodisc	1	29	590269	Ignition Module - SIT	1
10	503259	Screw, S/T 10 x .5	2	30	503631	Screw-Pan, M4 x 5	8
11	990322	Support-Log, Rear	1	31	790268	Valve-Control, Gas SIT 843	1
12	790246	Burner Assy "A"	1	32	591181	Fitting-Reducing	
13	503196	Washer; Flat 1/4" x .75	6			1/2"-3/8" BSP	1
14	503613	Nut, M6	12	33	590120	Fitting-Flar	
15	501963	Screw, Set M6 x 26	6			1/2"F x 3/8" BSP	1
16	590267	Ignitor Assy-Direct Spark	1	34	590130	Nut-Flar 1/2"	1
17	501857	Screw, Pan M5 x 10	1	35	790338	Log-Ceramic, Rear	1
18	990357	Bracket-Mounting, Ignitor	1	36	990339	Log-Ceramic, Middle LH	1
19	501856	Nut, M5	2	37	790356	Log-Ceramic, Front LH	1
20	586734	Bush-Plastic	1	38	790343	Log-Ceramic, Middle	1
21	990406	Burner Tray Assy	1	39	790341	Log-Ceramic, Front RH	1
22	990321	Bracket-Mounting, Control	1	40	790342	Log-Ceramic, Top RH	1

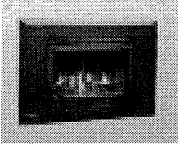
Bold Text = Assemblies
Bulleted Text = Items included in Assemblies



790280 Control Box

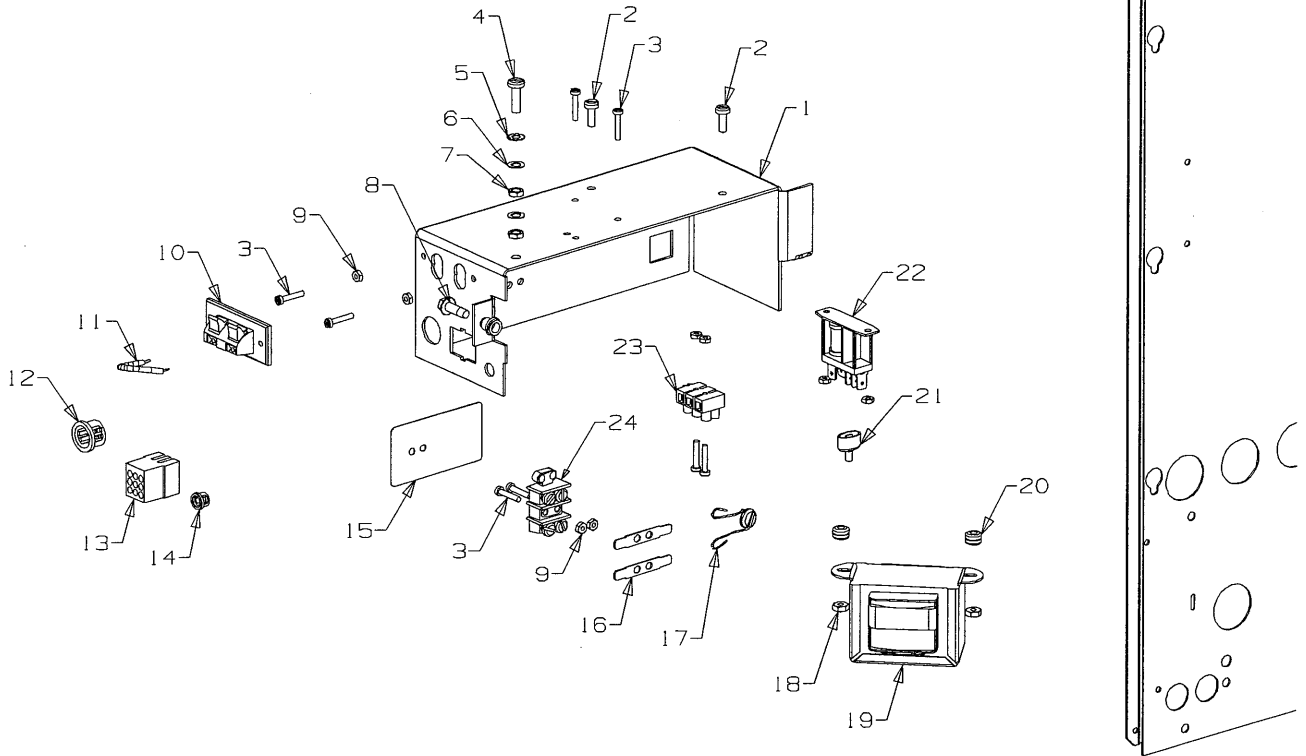
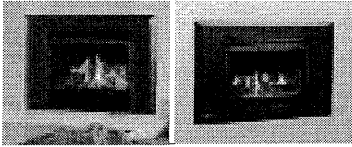
Item	Part No	Description	Qty	Item	Part No	Description	Qty
1	990344	Box-Mounting	1	13	590347	Loom-Ignition Module	1
2	502203	Screw, Pan M4 x 12	2	14	588399	Bush-Plastic	1
3	503163	Screw, Pan M3 x 16	8	15	591337	Insulator	1
4	501580	Screw, Pan M5 x 16	1	16	591302	Blade-Barrier, Strip	2
5	503371	Washer, Fan Disc 5 ID x 10 OD	1	17	591320	VDR-Control Box	1
6	503106	Washer, Flat M5	2	18	503622	Nut, M4	2
7	501856	Nut, M5	2	19	591293	Transformer-24 Volt	1
8	503489	Screw, Set M5 x 16	1	20	503806	Grommet, 9 OD x 4 ID	2
9	503164	Nut, M3	6	21	591310	Terminal-Utilux, 4.8mm	1
10	591303	Connector-Strip	1	22	591256	Relay, 24 Volt AC	1
11	591279	Lead-Jumper	1	23	590289	Block-Terminal	1
12	586734	Bush-Plastic	2	24	591281	Block-Terminal	1





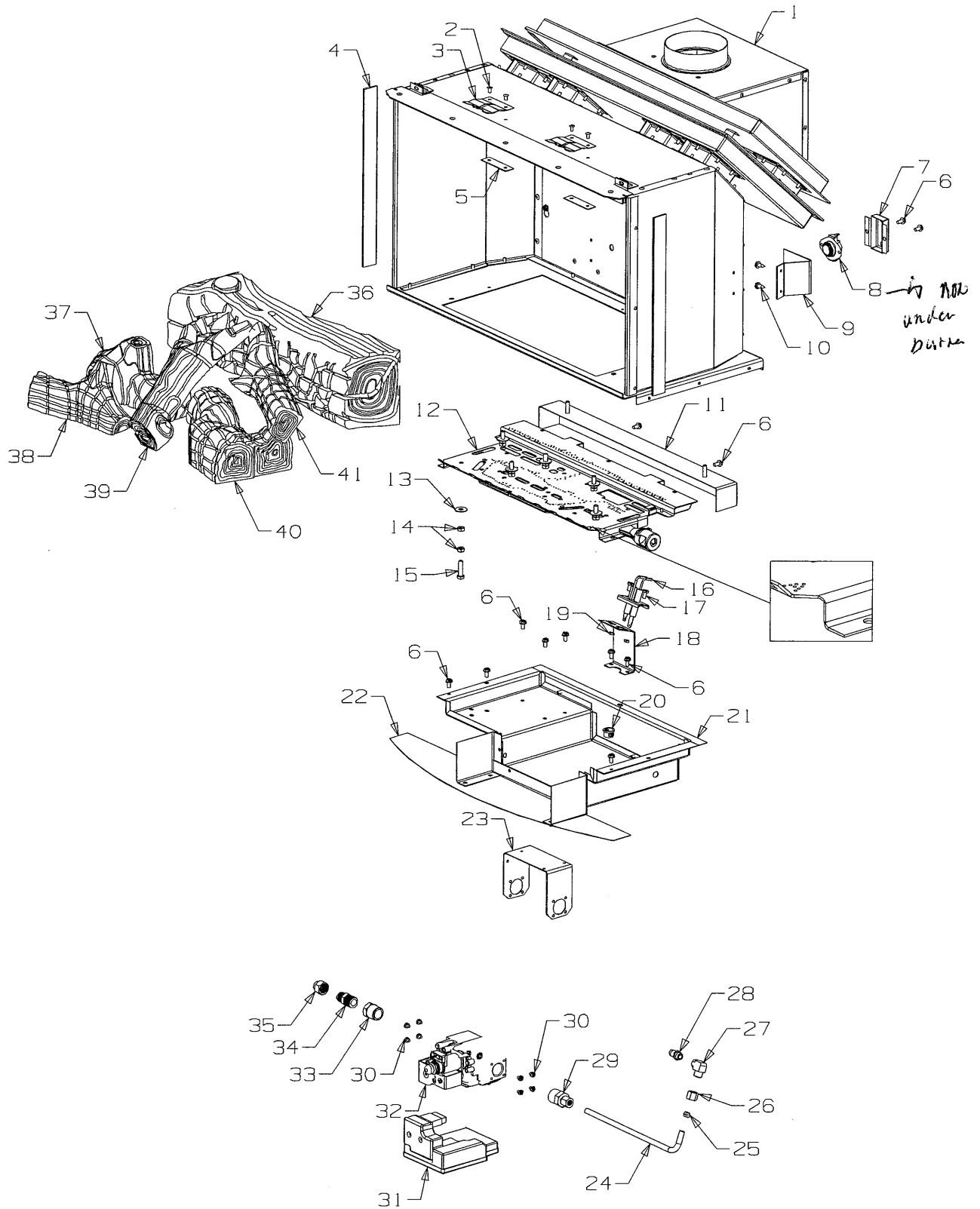
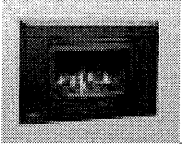
Item No	Part No	Description	Qty	Item No	Part No	Description	Qty
1	986514	Case-Outer, Guide Rail	4	19	503818	Grommet-Dzus	1
2	501767	Rivet-Pop 3.2 Dia x 3.2	8	20	990281	Plate-Latch	1
3	986513	Case-Outer Top	1	21	790378	Grill Assy-Lower - Black	1
4	503630	Screw; S/T 10 x .4	7	22	985310	Bush	6
5	990331	Case-Outer, Rear	1	23	503165	Rivet-Pop, 3.2 Dia x 6.4	6
6	503586	Rivet 4.0 Dia	14	24	790299	Glass - Curved (Incl. Tape)	1
7	503272	Rivet-Pop 4.8 Dia x 4.8	18	25	995380	Tape - Flat, 6 x 30	1
8	990335	Bracket-Support, Diverter	1	26	790308	Trim-Glass, Side	2
9	990283	Heatshield-Fan	1	27	501330	Washer, Flat 5 x 10 x 1.0	12
10	586167	Rivet-Pop 4.0 Dia x 4.8	16	28	790370	Glass Assy, Curved	1
11	990332	Case-Outer, Side RH	1	29	790391	Louvre Assy-Top	1
12	991236	Retainer-Trim, Top Glass	1			- Silver/Black	1
13	790280	Control Box Assy	1		790377	Louvre Assy-Top - Option	1
14	790395	Fan Assy	1			- Gold/Black	1
15	990329	Base Assy	1	30	502068	Clamp-Cable	1
16	590348	Saddle-Wire, Hi-Q	4	31	577089	Nut-Cable Clamp	1
17	503704	Screw, S/T 8 x .5	9	32	586734	Bush-Plastic	1
18	503817	Stud-Dzus	1	33	990333	Case-Outer, Side LH	1

Bold Text = Assemblies
Bulleted Text = Items included in Assemblies



790280 Control Box

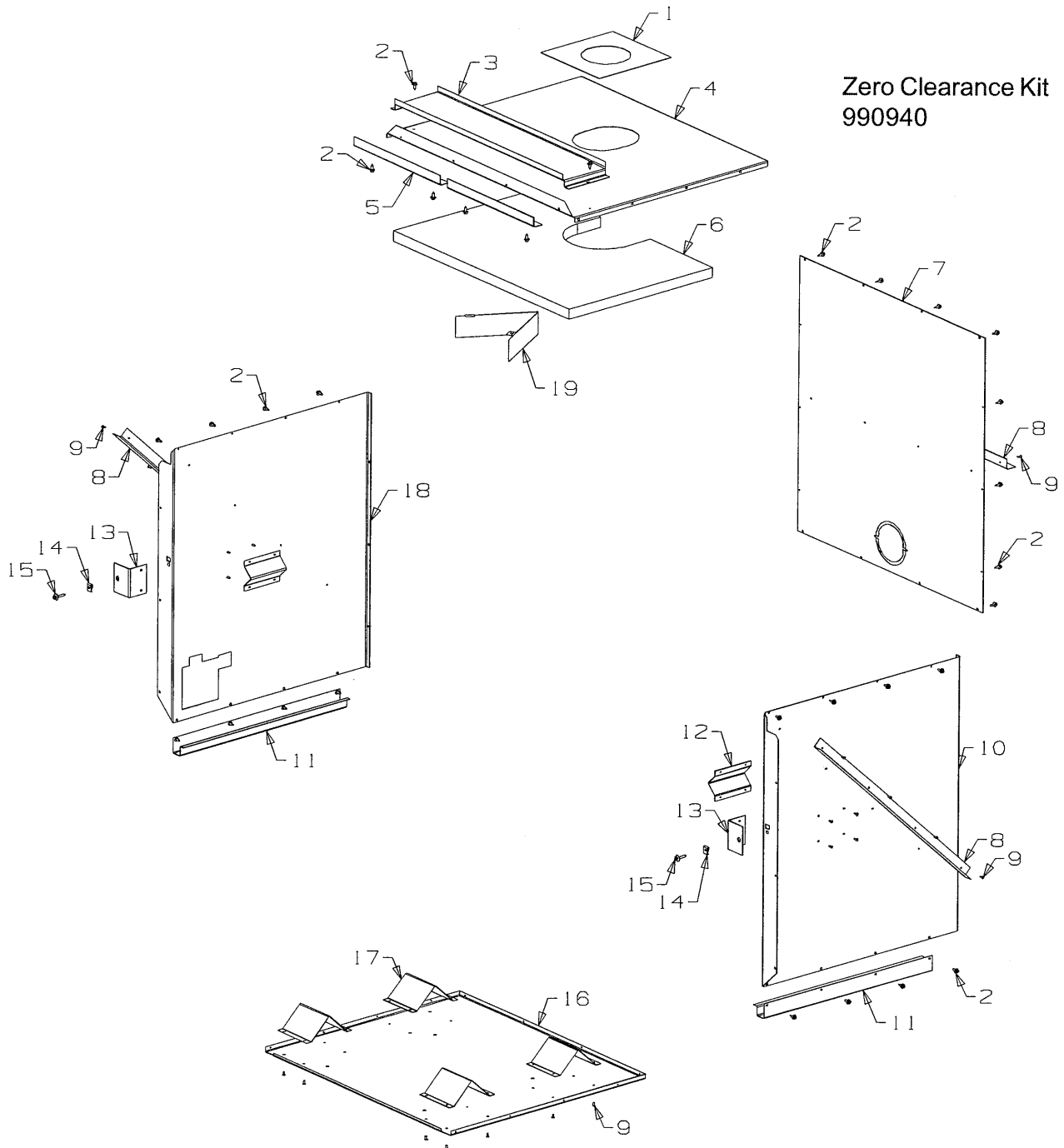
Item	Part No	Description	Qty	Item	Part No	Description	Qty
1	990344	Box-Mounting	1	13	590347	Loom-Ignition Module	1
2	502203	Screw, Pan M4 x 12	2	14	588399	Bush-Plastic	1
3	503163	Screw, Pan M3 x 16	8	15	591337	Insulator	1
4	501580	Screw, Pan M5 x 16	1	16	591302	Blade-Barrier, Strip	2
5	503371	Washer, Fan Disc 5 ID x 10 OD	1	17	591320	VDR-Control Box	1
6	503106	Washer, Flat M5	2	18	503622	Nut, M4	2
7	501856	Nut, M5	2	19	591293	Transformer-24 Volt	1
8	503489	Screw, Set M5 x 16	1	20	503806	Grommet, 9 OD x 4 ID	2
9	503164	Nut, M3	6	21	591310	Terminal-Utilux, 4.8mm	1
10	591303	Connector-Strip	1	22	591256	Relay, 24 Volt AC	1
11	591279	Lead-Jumper	1	23	590289	Block-Terminal	1
12	586734	Bush-Plastic	2	24	591281	Block-Terminal	1





Item	Part No	Description	Qty	Item	Part No	Description	Qty
1		Firebox Assy	1	24	590270	Tube-Main Injector	1
2	503627	Rivet-4.0	28	25	588172	Olive-Brass, M8	1
3	991236	Retainer-Top Glass Trim	2	26	588393	Nut-Compression, 8mm	1
4	985829	Seal Kit-Glass	2	27	590345	Fittng-Elbow, 5/16" x 1/8" BSP	1
5	991163	Plate-Reinforcing, Trim	2	28	590352	Injector-Main	1
6	503630	Screw; S/T 10 x .4	34		590295	Injector-Main, 1.70 - LPG	1
7	991304	Shield-Thermodisc	1	29	588077	Fittng-Complete 8 x 1/2"	1
8	591119	Thermodisc-Fan	1	30	503631	Screw-Pan, M4 x 5	8
9	990282	Bracket-Mount, Thermodisc	1	31	590269	Ignition Module - SIT	1
10	503259	Screw, S/T 10 X .5	2	32	790268	Valve-Control, Gas SIT 843	1
11	990322	Support-Log, Rear	1	33	591181	Fitting-Reducing, 1/2"-3/8" BSP	1
12	790246	Burner Assy - Universal	1	34	590120	Fitting-Flar, 1/2"F x 3/8" BSP	1
13	503196	Washer, Flat 1/4" x .75	6	35	590130	Nut-Flare, 1/2"	1
14	503613	Nut, M6	12	36	790338	Log-Ceramic, Rear	1
15	501963	Screw-Set, M6 x 25	6	37	990339	Log-Ceramic, Middle LH	1
16	590267	Ignitor Assy-Direct Spark	1	38	790356	Log-Ceramic, Front LH	1
17	501857	Screw-Pan, M5 x 10	6	39	790343	Log-Ceramic, Middle	1
18	990357	Bracket-Mounting, Ignitor	1	40	790341	Log-Ceramic, Front RH	1
19	501856	Nut, M5	6	41	790342	Log-Ceramic, Top RH	1
20	586734	Bush-Plastic	1				
21	990406	Burner Tray Assy	1				
22	990384	Exension-Burner Tray	1				
23	990321	Bracket-Mounting, Control	1				

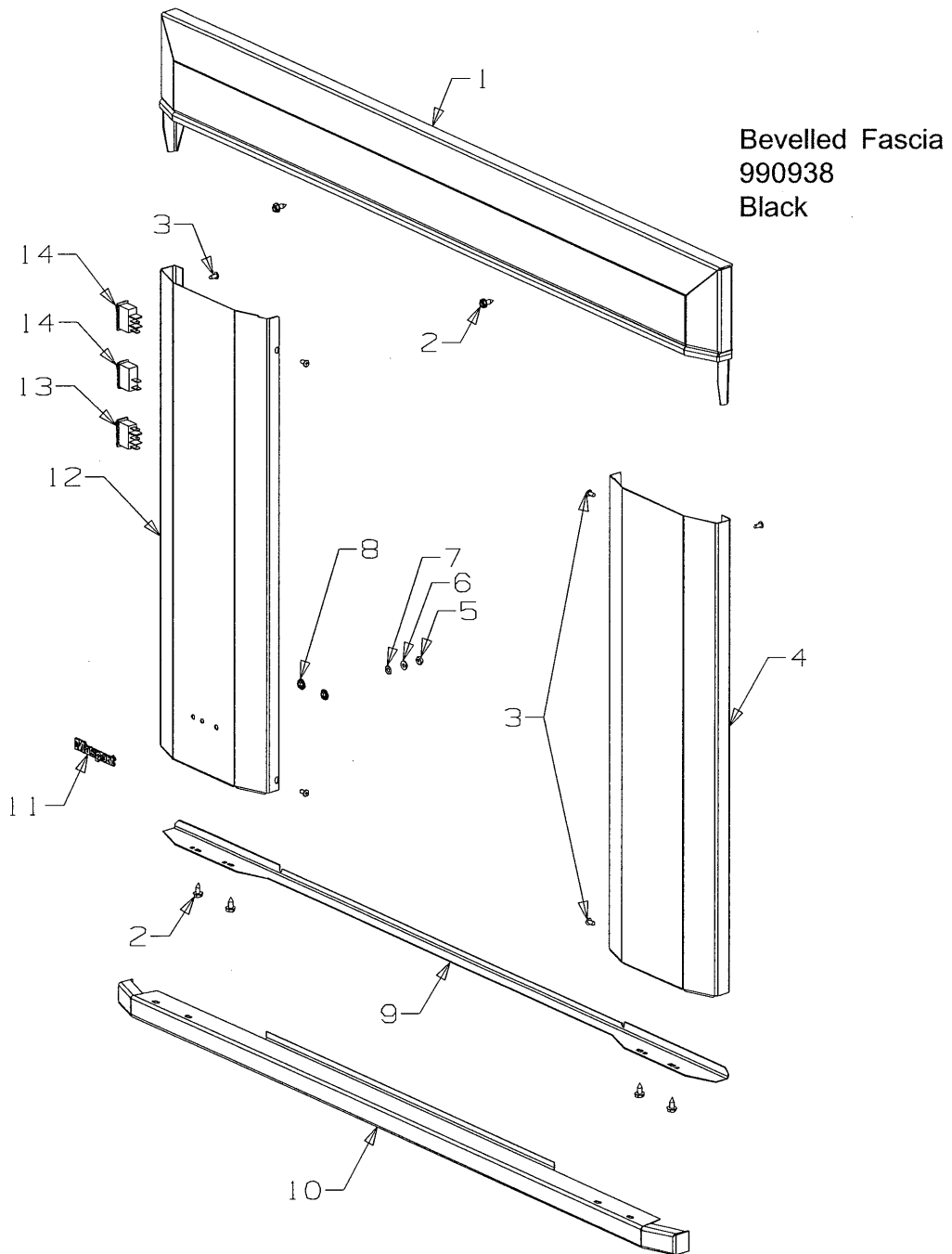
Bold Text = Assemblies
Bulleted Text = Items included in Assemblies



Zero Clearance Kit
990940

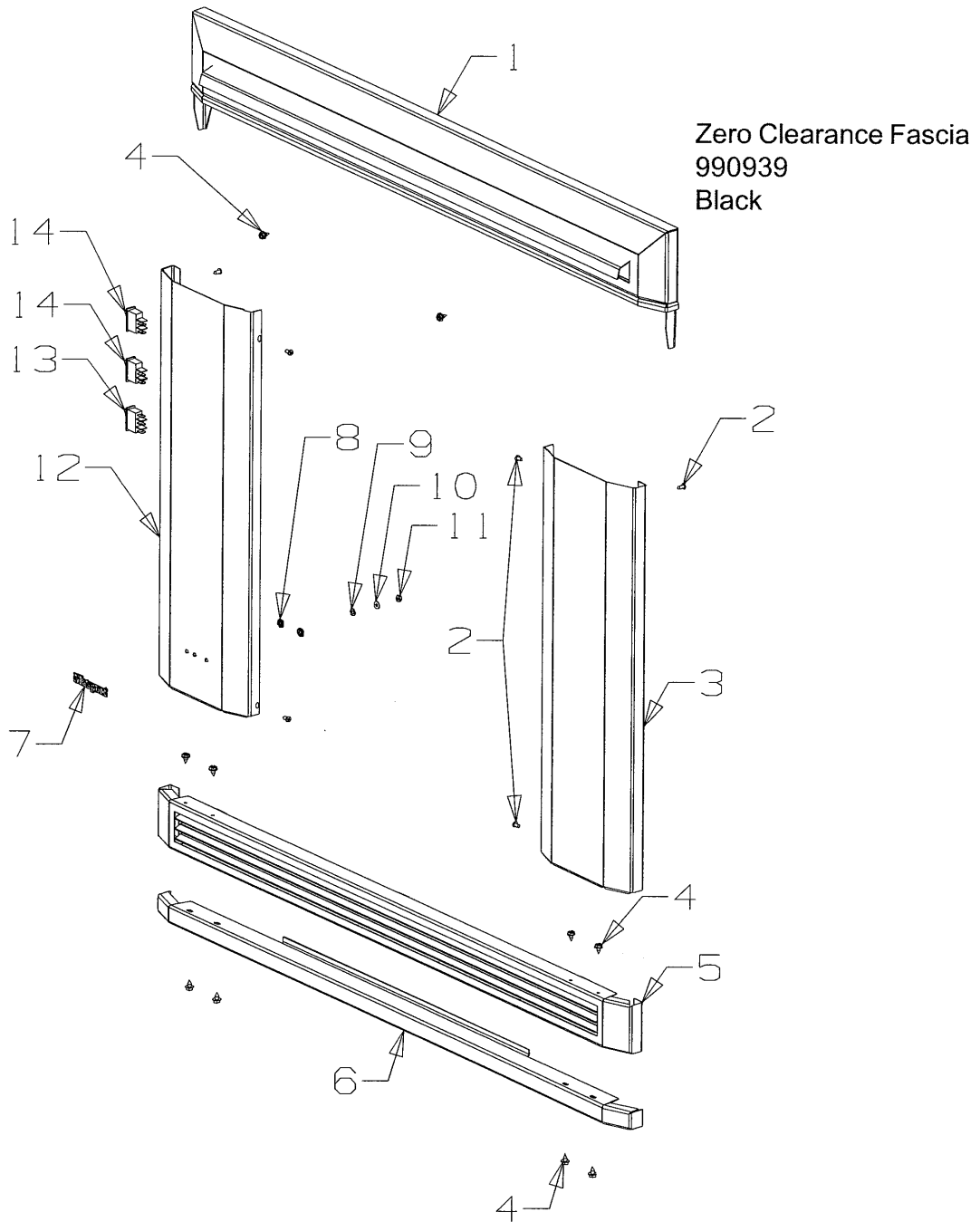
Item No	Part No	Description	Qty	Item No	Part No	Description	Qty
1	503704	Screw, S/T 8 x .5	60	10	990241	Rail-Bearer	2
2	990148	Heatshield-Lintel	1	11	990072	Spacer-Inner	2
3	990070	Panel-Top	1	12	990149	Bracket-Restraint	2
4	585405	Insulation-Outer Case, Rockwool	1	13	503388	Nut-Spire	2
5	990186	Deflector-Hot Air	2	14	503459	Screw, S/T 12 x 25	2
6	990073	Panel-Rear	1	15	990071	Spacer-Base	4
7	990074	Spacer-Outer	3	16	990067	Base	1
8	503429	Rivet-Pop, 3.2 Dia x 4.8	16	17	990069	Panel-Side, LH	1
9	990068	Panel-Side, RH	1				

When ordering PLEASE QUOTE PART NUMBER & Description, NOT Illustration No.
Determine right or left hand side from standing in operating position



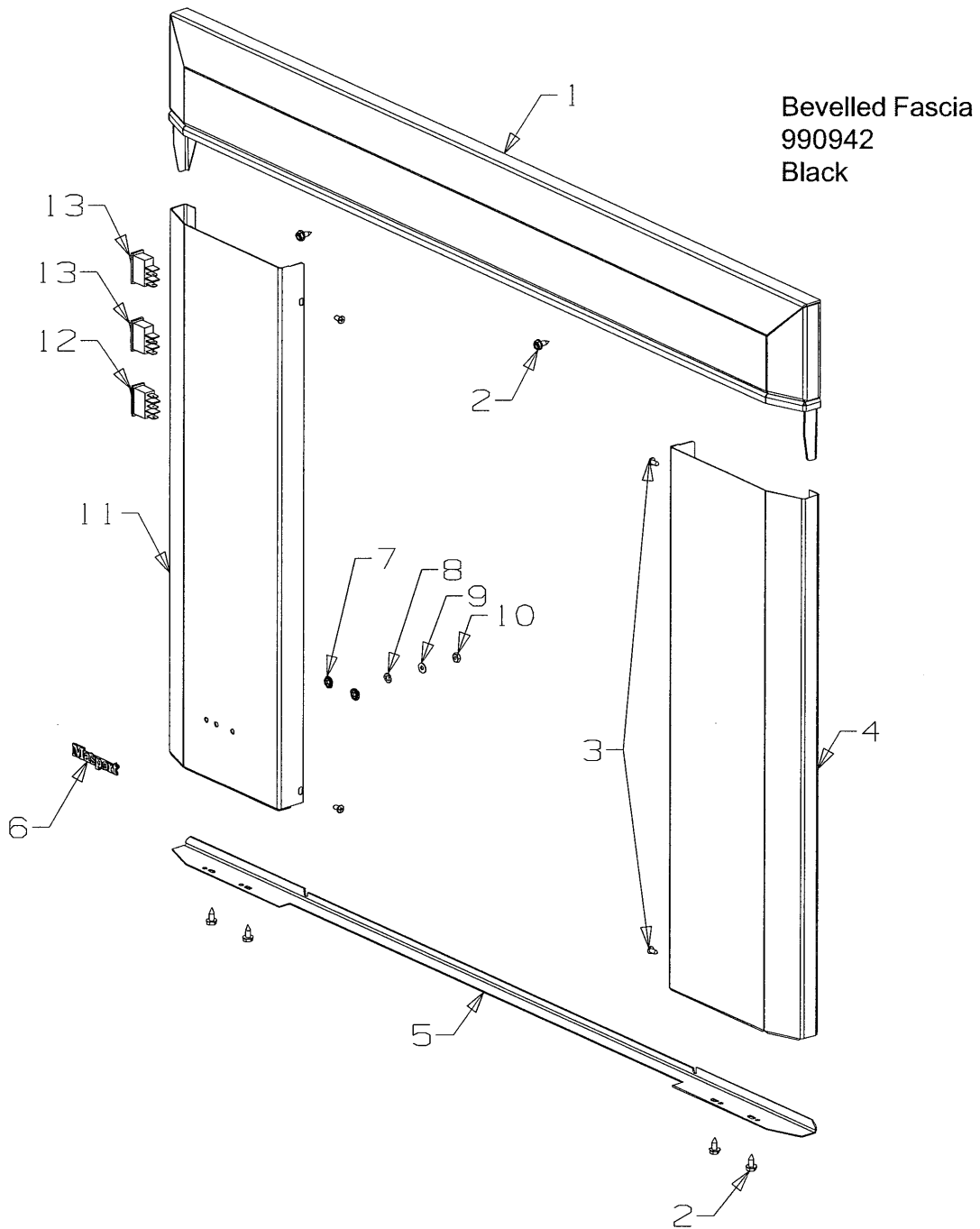
Item No	Part No	Description	Qty	Item No	Part No	Description	Qty
1	990225	Fascia Assy-Top	1	10	790183	Trim-Hearth, 25mm - Black	1
2	503259	Screw, S/T 10 x .5	6		790180	Trim-Hearth, 50mm - Black	1
3	586737	Screw, S/T 8 x 10	6		990184	Trim-Hearth, 100mm - Black	1
4	790170	Fascia-Side, RH - Black	1	11	584581	Badge - Gold	1
5	503622	Nut, M4	1	12	790315	Fascia-Side, LH - Black	1
6	503593	Washer, Flat 4 x 9 x 1	1	13	503674	Switch-Fan, ON/OFF/ON	1
7	503371	Washer, Fan Disc 5 ID x 10 OD	1	14	503260	Switch-Burner, HI/LO	2
8	503381	Clip-Starlock, 4 Dia	2			NOT ILLUSTRATED	
9	990172	Stiffener - Black	1		590290	Decal-Control	1

When ordering PLEASE QUOTE PART NUMBER & Description, NOT Illustration No.
Determine right or left hand side from standing in operating position



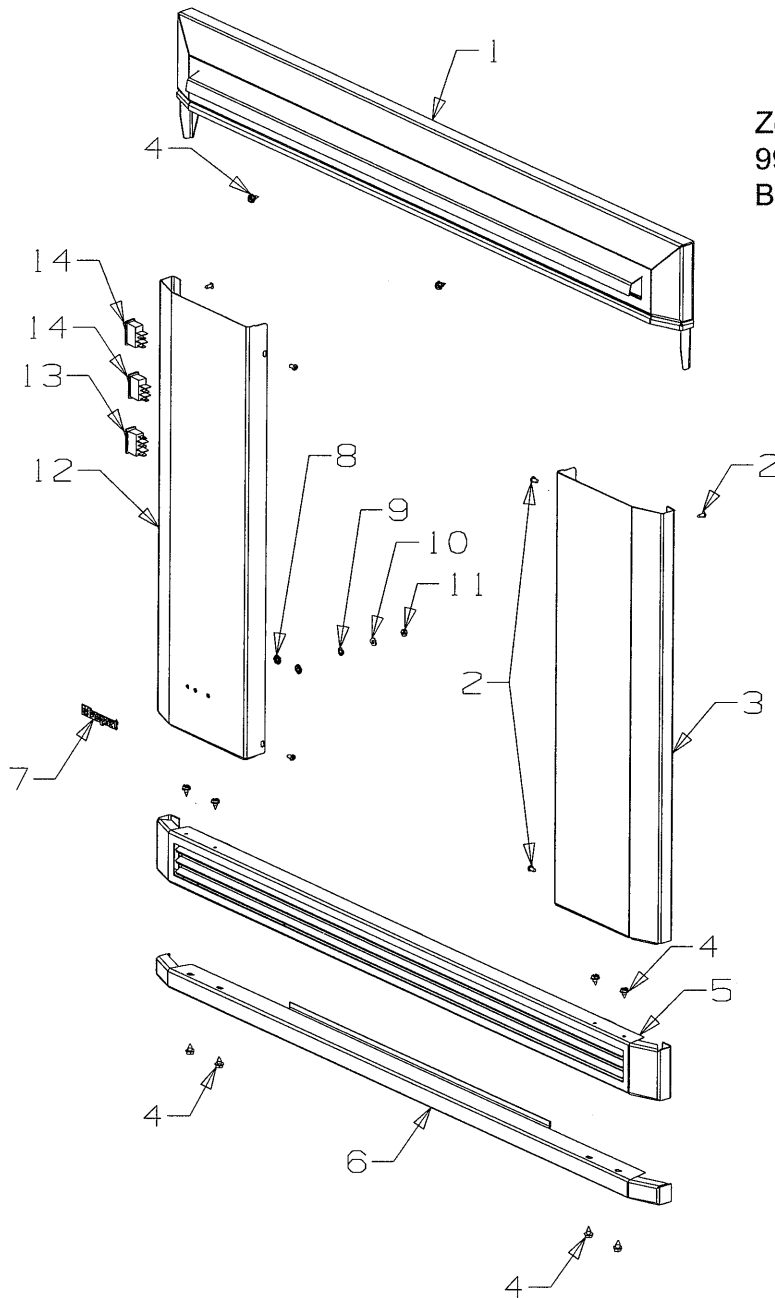
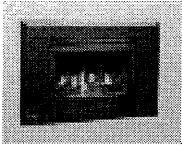
Item No	Part No	Description	Qty	Item No	Part No	Description	Qty
1	790243	Panel Assy-Top - Black	1	9	503371	Washer, Fan Disc 5 ID x 10 OD	1
2	503259	Screw, S/T 10 x .5	10	10	503593	Washer, Flat 4 x 9 x 1	1
3	586737	Screw, S/T 8 x 10	10	11	503622	Nut, M4	1
4	790170	Fascia-Side, RH - Black	1	12	790315	Fascia-Side, LH - Black	1
5	790198	Louvre Assy - Black	1	13	503674	Switch-Fan, ON/OFF/ON	1
6	790183	Trim-Hearth, 25mm - Black	1	14	503260	Switch-Burner, HI/LO	2
	790180	Trim-Hearth, 50mm - Black	1			NOT ILLUSTRATED	
	790184	Trim-Hearth, 100mm - Black	1				
7	584581	Badge - Gold	1				
8	503381	Clip-Starlock, 4 Dia	2				
				590290		Decal-Control	1

When ordering PLEASE QUOTE PART NUMBER & Description, NOT Illustration No.
Determine right or left hand side from standing in operating position



Item No	Part No	Description	Qty	Item No	Part No	Description	Qty
1	790243	Panel Assy-Top - Black	1	9	503593	Washer, Flat 4 x 9 x 1	1
2	503259	Screw, S/T 10 x .5	10	10	503622	Nut, M4	1
3	586737	Screw, S/T 8 x 10	10	11	790402	Fascia-Side, LH - Black	1
4	790400	Fascia-Side, RH - Black	1	12	503674	Switch-Fan, ON/OFF/ON	1
5	990172	Stiffener - Black	1	13	503260	Switch-Burner, HI/LO	2
6	584581	Badge - Gold	1				
7	503381	Clip-Starlock, 4 Dia	2			NOT ILLUSTRATED	
8	503371	Washer, Fan Disc 5 ID x 10 OD	1				
					590290	Decal-Control	1

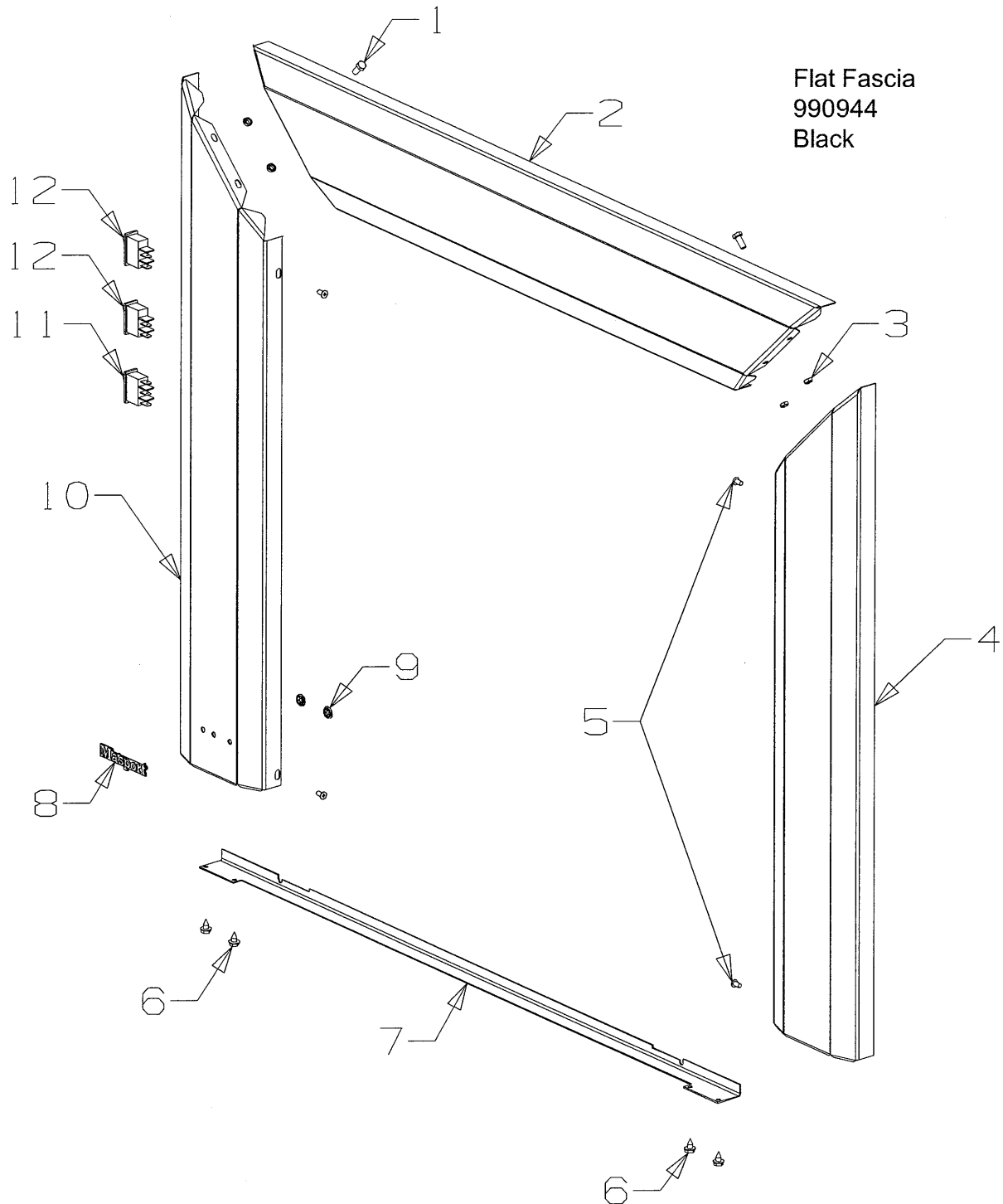
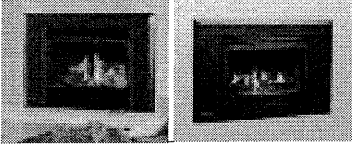
When ordering PLEASE QUOTE PART NUMBER & Description, NOT Illustration No.
Determine right or left hand side from standing in operating position



Zero Clearance Fascia
990943
Black

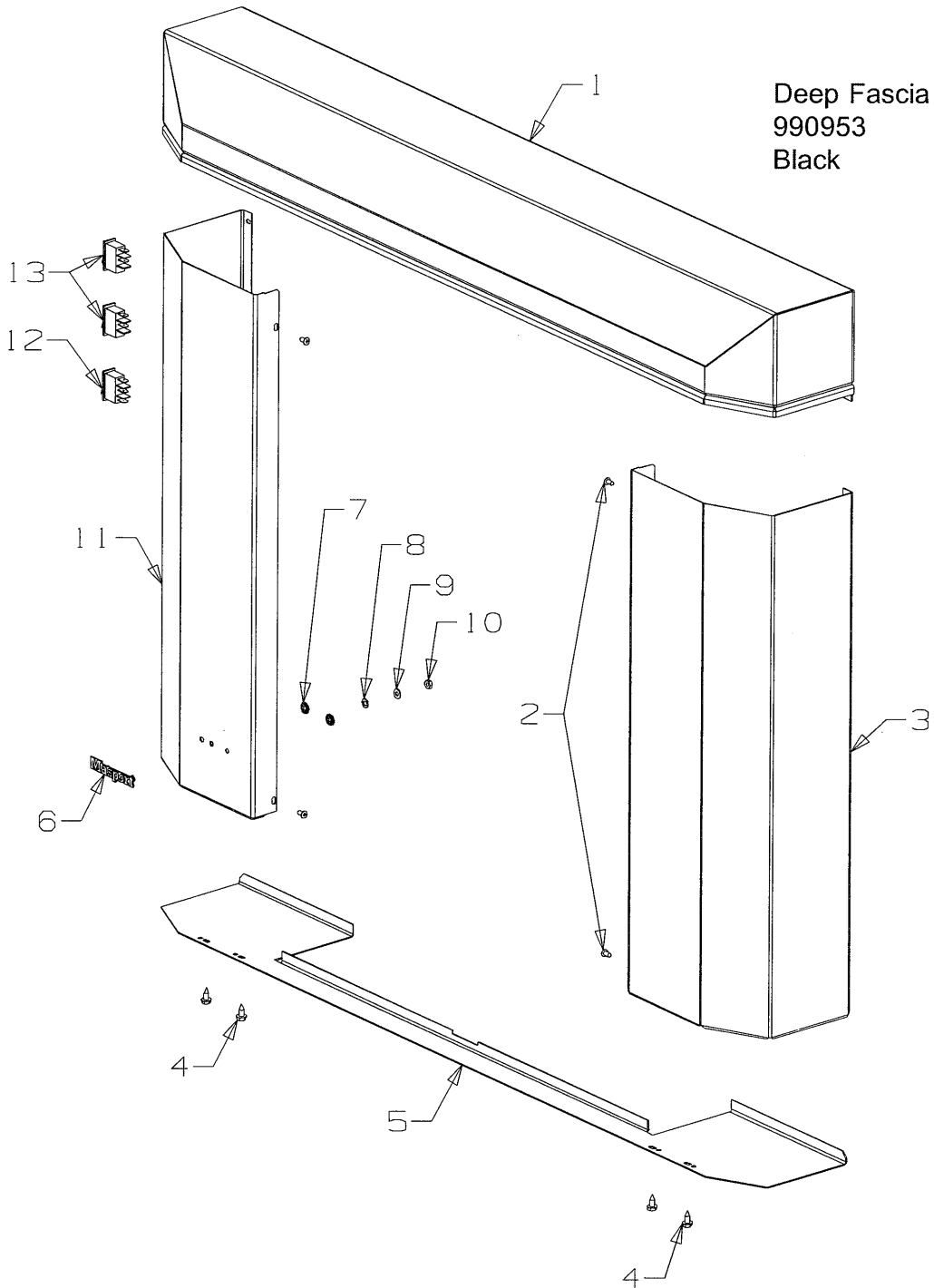
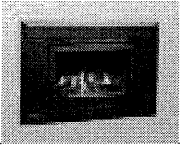
Item No	Part No	Description	Qty	Item No	Part No	Description	Qty
1	790243	Panel Assy-Top - Black	1	9	503371	Washer, Fan Disc 5 ID x 10 OD	1
2	586737	Screw, S/T 8 x 10	6	10	503593	Washer, Flat 4 x 9 x 1	1
3	990400	Fascia-Side, RH - Black	1	11	503622	Nut, M4	1
4	503259	Screw, S/T 10 x .5	10	12	790402	Fascia-Side, LH - Black	1
5	790198	Louve Assy - Black	1	13	503674	Switch-Fan, ON/OFF/ON	1
6	790183	Trim-Hearth, 25mm - Black	1	14	503260	Switch-Burner, HI/LO	2
	• 790180	Trim-Hearth, 50mm - Black	1			NOT ILLUSTRATED	
	• 990184	Trim-Hearth, 100mm - Black	1				
7	584581	Badge - Gold	1				
8	503381	Clip-Starlock, 4 Dia	2		590290	Decal-Control	1

When ordering PLEASE QUOTE PART NUMBER & Description, NOT Illustration No.
Determine right or left hand side from standing in operating position



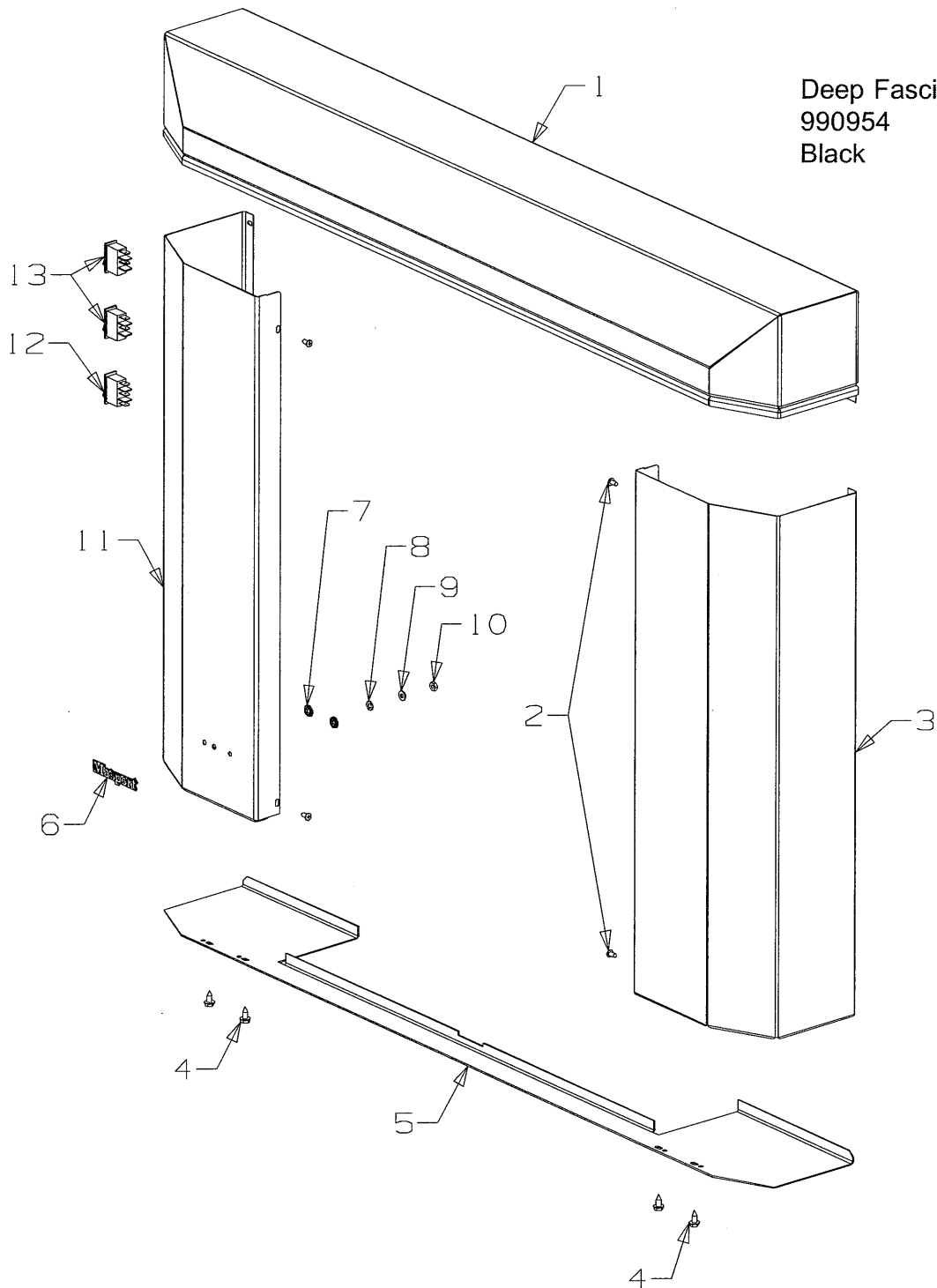
Item No	Part No	Description	Qty	Item No	Part No	Description	Qty
1	501508	Screw, Set M5 x 12	4	7	990054	Stiffener - Black	1
2	790218	Panel Assy-Top - Black	1	8	584581	Badge - Gold	1
3	501856	Nut, M5 HEX	4	9	503381	Clip-Starlock, 4 Dia	2
4	790418	Fascia-Side, RH - Black	1	10	790419	Fascia-Side, RH - Black	1
5	586737	Screw, S/T 8 x 10	4	11	503674	Switch-Fan, ON/OFF/ON	1
6	503259	Screw, S/T 10 x .4	4	12	503260	Switch-Burner, HI/LO	2

When ordering PLEASE QUOTE PART NUMBER & Description, NOT Illustration No.
Determine right or left hand side from standing in operating position



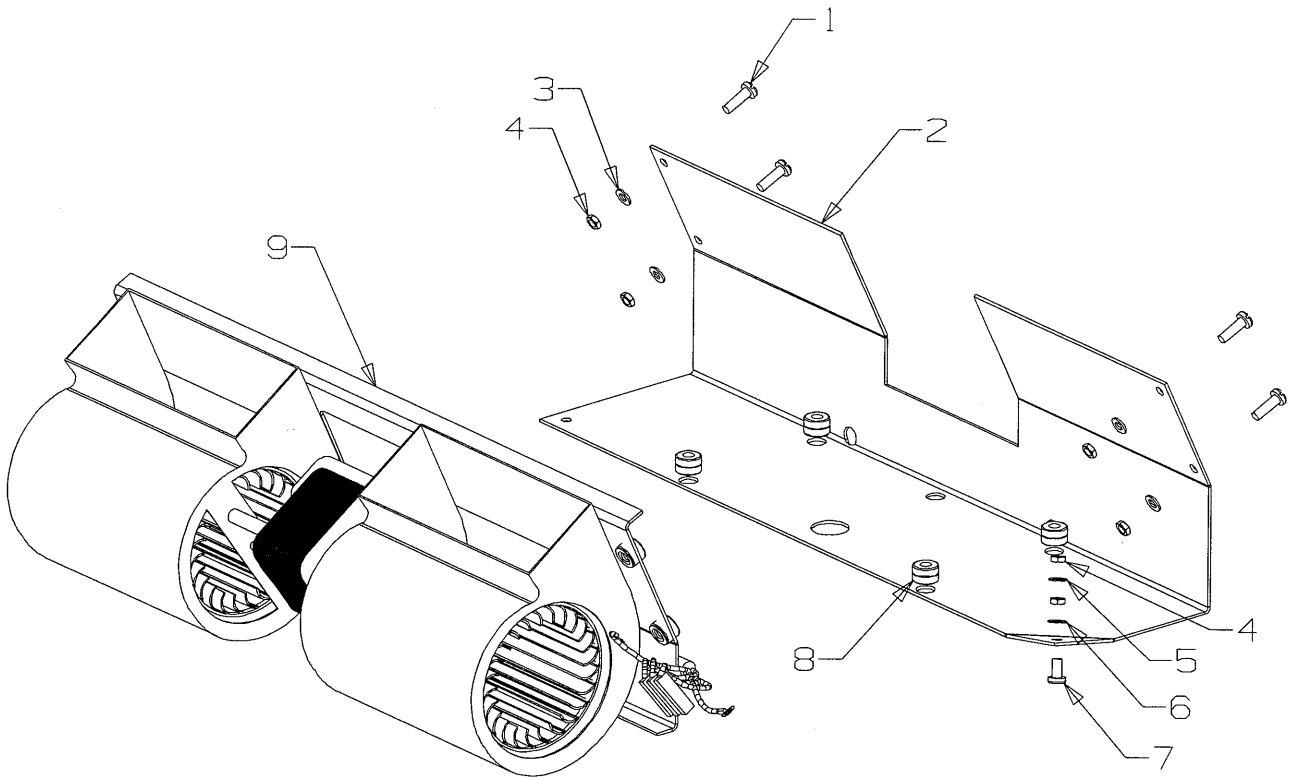
Item No	Part No	Description	Qty	Item No	Part No	Description	Qty
1	790437	Panel Assy-Top - Black	1	10	503622	Nut, M4	1
2	586737	Screw, S/T 8 x 10	6	11	790435	Fascia-Side, RH - Black	1
3	790436	Fascia-Side, RH - Black	1	12	503674	Switch-Fan, ON/OFF/ON	1
4	503259	Screw, S/T 10 x .4	6	13	503260	Switch-Burner, HI/LO	2
5	990439	Stiffener - Black	1			NOT ILLUSTRATED	
6	584581	Badge - Gold	1				
7	503381	Clip-Starlock, 4 Dia	2				
8	503371	Screw, Set M5 x 12	4		590290	Decal-Contol	1
9	503593	Washer, Flat 4 x 9 x 1	1		590291	Lead-Earth	1

When ordering PLEASE QUOTE PART NUMBER & Description, NOT Illustration No.
Determine right or left hand side from standing in operating position



Item No	Part No	Description	Qty	Item No	Part No	Description	Qty
1	790469	Panel Assy-Top - Black	1	8	503371	Screw, Set M5 x 12	4
2	586737	Screw, S/T 8 x 10	4	9	503593	Nut, M5 HEX	4
3	790436	Fascia-Side, RH - Black	1	10	503622	Nut	1
4	503259	Screw, S/T 10 x .4	4	11	790435	Fascia-Side, RH - Black	1
5	990439	Stiffener - Black	1	12	503674	Switch-Fan, ON/OFF/ON	1
6	584581	Badge - Gold	1	13	503260	Switch-Burner, HI/LO	2
7	503381	Clip-Starlock, 4 Dia	2				

When ordering PLEASE QUOTE PART NUMBER & Description, NOT Illustration No.
Determine right or left hand side from standing in operating position

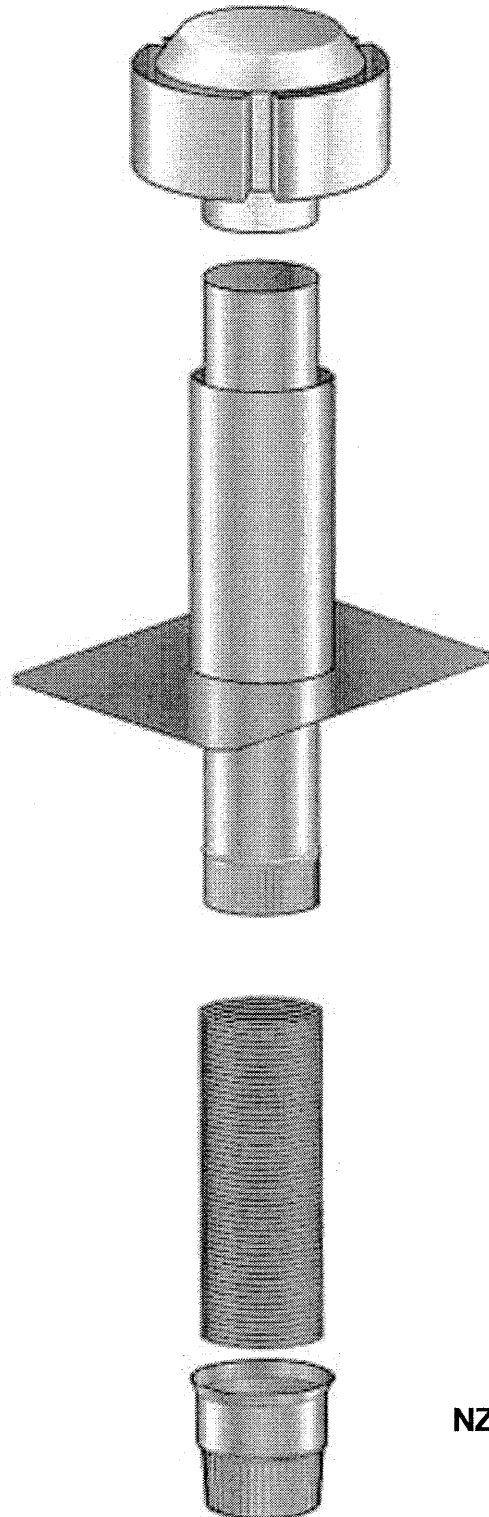


790264 Fan Assembly - 2 Speed - Sofia
790395 Fan Assembly - 2 Speed - Madrid

Item No	Part No	Description	Qty	Item No	Part No	Description	Qty
1	501580	Screw, Pan M5 x 16	4	8	503671	Grommet-Fan, 14 ID x 6 OD	4
2	990265	Plate-Mounting, Fan	1	9	590394	Fan-Double End - 3 Speed - Sofia	1
3	501330	Washer, Flat 5 x 10 x 1	4	9	590390	Fan-Double End - 3 Speed - Madrid	1
4	501856	Nut, M5	4			NOT ILLUSTRATED	
5	503106	Washer, Flat M5	2				
6	503371	Washer, Fan Disc 5 ID x 10 OD	1				
7	501857	Screw, Pan M5 x 10	1		591321	Insulator-Utilux	6



MASONRY FLUE KIT



NZ ONLY

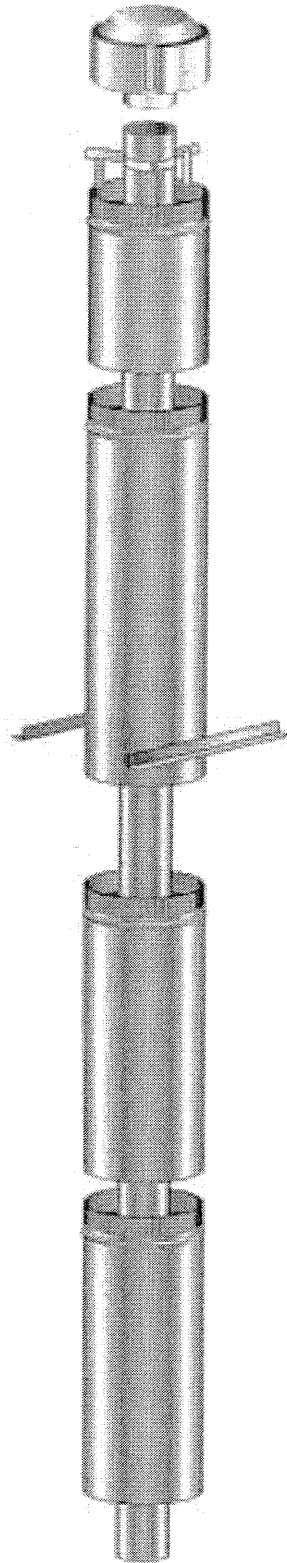
Flue Kit Part Number: 588637



Masport

SOFIA
NG/LPG

INBUILT ZERO CLEARANCE FLUE KIT



NZ ONLY

Flue Kit Part Number: 588650

When ordering PLEASE QUOTE PART NUMBER & Description, NOT Illustration No.
Determine right or left hand side from standing in operating position



Masport

SOFIA / MADRID
NG/LPG

Part No	Description	Qty
NOT ILLUSTRATED		
556123	Paint, Touch Up - Black	1
503054	Tie-Nylon, Cable	8
503662	Retainer-Cable, Jet Press	1
788666	Embers-Medium Coal, 12 oz. bag	1
588068	Loom-3 Pin, Fan	1
590287	Loom-Control (Control Box)	1
590288	Lead-Rectifier (Control Box)	1
591289	Lead-Relay, T/S connect (Control Box)	1
591290	Lead-Relay, Mains connect (Control Box)	1
590313	Lead-Loop Switch	1
503816	Resectable-DZUS (for Latch Plate-Grille)	1
590271	Lead-Spark, 4.8mm x 2.8mm x 300mm	1
590272	Lead-Flame, 4.8mm x 4.8mm x 300mm	1
790369	Panel-Brick, Curved - Madrid	1
590340	Owners Manual	1

HEAD OFFICE - NEW ZEALAND

1 - 37 Mt Wellington Highway
Panmure, Auckland 6
Phone: (9) 571 1200
Fax: (9) 571 5864

HEAD OFFICE - AUSTRALIA

P.O. Box 533, Braeside
Postcode: 3195
Phone: 1300 366 225
Fax: 1800 035 594

